



Outdoor clocks

PROFILINE QUAD

PROFILINE QUAD - the professional clock line with the modular clock concept in a modern design.

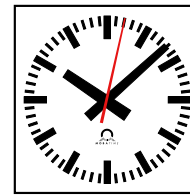
Square clock models in single- and double-sided versions for the dial sizes 40, 50, 60 and 80 cm, with or without LED illumination.

Also available as 4-sided cube version for dial diameters 60 and 80 cm, with and without illumination.

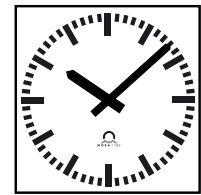
Elegant, modular housing concept made from weather-resistant aluminum profile, high-quality production, mounting- and service-friendly construction.

PROFILENE QUAD - Order information

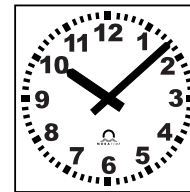
Type	Time code variants										Dial type ZB xxx	Hands	Mounting					
Clock type	Size	Minute impulses	Min. impulses with second	NTP (PoE or 230 VAC)	MOBALine	Radio DCF (battery) (h/m)	Radio DCF, MSF, GPS (230 VAC)	Quartz movement (battery) (h/m)	Serial protocol RS 485	Audio frequency time code IRIG-B	Dial type 120	Dial type 300	Dial type 315	Hands with flat tips	Wall mounting (single-sided)	Wall bracket (WA)	Ceiling suspension (DA)	Central pole (ZM)
PL	40	✓	✓	✓	✓	✓	✓	✓	✓	✓	✓	✓	✓	✓	✓	✓	✓	✓
PL	50	✓	✓	✓	✓	✓	✓	✓	✓	✓	✓	✓	✓	✓	✓	✓	✓	✓
PL	60	✓	✓	✓	✓	✓	✓	✓	✓	✓	✓	✓	✓	✓	✓	✓	✓	✓
PL	80	✓	✓	✓	✓	✓	✓	✓	✓	✓	✓	✓	✓	✓	✓	✓	✓	✓



ZB 120



ZB 300



ZB 315

Ordering code

Type	Illumination	Size	Version	Time code variants	Dial	Cover glass	Mounting type
PL	0 = none 2 = LED	40 50 60 80	Q1 = square, single-sided Q2 = square, double-sided Q4 = cube-shaped, 4-sided	Ordering code for movement, see below	120 300 315	1 = mineral glass 2 = Ballthrow resistant 3 = polycarbonate	00 = Wall mounting, single-sided (E) 01 = Wall mounting, double-sided (VV) 10 = Wall bracket (WA) 20 = Ceiling suspension (DA) 21 = Ceiling mounting (D) 30 = Lateral pole mounting (SM) 40 = Central pole mounting (ZM) 50 = Socket mounting (S)

PROFILENE clocks can be delivered in any RAL color (option with additional cost) e.g. PLO.60.Q2.M04.300.1.10.RAL9005

PROFILENE QUAD - Time code variants

Polarized impulses: Ixx

Time code	Size	Voltage	Hands	Code
Min. impulse	40 - 80	24 - 60 V	h/m	I02
Min. impulse	40 - 80	24 - 60 V 230 VAC / 50 Hz	h/m/s	I06
Min. impulse	40 - 80	12 - 60 VDC, 45-265 VAC, 50-60 Hz	h/m/s	I21

MOBALine self-setting: Mxx/Cxx

Time code	Size	Power supply	Hands	Code
MOBALine	40 - 80	MOBALine	h/m	M16
MOBALine	40 - 80	230 VAC / 50-60 Hz	h/m	C01
MOBALine	40 - 80	MOBALine	h/m/s	M18
MOBALine	40 - 80	230 VAC / 50-60 Hz	h/m/s	M12

NTP (LAN) self-setting: Nxx

Time code	Size	Power supply	Hands	Code
NTP	40 - 80	PoE	h/m	N11
NTP	40 - 80	PoE	h/m/s	N13
NTP	40 - 80	230 V	h/m	N01
NTP	40 - 80	230 V	h/m/s	N03

Quartz: Qxx

Time code	Size	Power supply	Hands	Code
Quartz, single-sided	40 - 80	Lithium battery	h/m	Q02
Quartz, double-sided	40 - 80	Lithium battery	h/m	Q03

Serial: Sxx

Time code	Size	Power supply	Hands	Code
Serial	40 - 80	230 VAC / 50-60 Hz or DC	h/m	S01
Serial	40 - 80	230 VAC / 50-60 Hz or DC	h/m/s	S03

IRIG / AFNOR: Txx

Time code	Size	Power supply	Hands	Code
IRIG / AFNOR or DCF-FSK	40 - 80	230 VAC / 50-60 Hz	h/m	T51
IRIG / AFNOR or DCF-FSK	40 - 80	230 VAC / 50-60 Hz	h/m/s	T53

DCF 77 / MSF: Rxx

Time code	Size	Power supply	Hands	Code
DCF 77 (int. antenna)	40 - 80	Lithium battery	h/m	R26/R29
DCF 77 (ext. Antenne)	40 - 80	Lithium battery	h/m	R30/R31
DCF 77	40 - 80	230 VAC / 50-60 Hz	h/m	R01
DCF 77	40 - 80	230 VAC / 50-60 Hz	h/m/s	R04

GPS: Rxx (with mouse antenna)

Time code	Size	Power supply	Hands	Code
GPS, single-sided	40 - 80	Lithium battery	h/m	R51
GPS, double-sided	40 - 80	Lithium battery	h/m	R54

For special movement / time code variants see document TE-800800 (available at www.mobatime.com in the customer area).

Ordering number - PROFILINE QUAD

PL 1 • 2 • 3 • 4 • 5 • 6 • 7 • 8

Illumination			1	
none			0	
LED (90 - 264 VAC, 50 - 60 Hz, < 20 W)			2	
Size			2	
40 x 40 cm (not available in 4-sided version)			40	
50 x 50 cm (not available in 4-sided version)			50	
60 x 60 cm			60	
80 x 80 cm			80	
Version			3	
Square, single-sided			Q1	
Square, double-sided			Q2	
Square, 4-sided			Q4	
Uhrwerk-Typ		Time code / power supply	Zeiger	4
Minute impulse movement NU 90t		24, 48 or 60 V polarized impulses	h / m	I02
Minute impulse movement NU 90t SYN		24, 48 or 60 V polarized impulses / 230 VAC, 50 Hz	h / m / s	I06
Minute impulse movement IBU 190t S ⁽¹⁾		12 - 60 V polarized impulses / 45-265 VAC, 50-60 Hz	h / m / s	I21
Radio movement FU 192t, autonms., self-setting, w/o illumination ⁽³⁾		internal DCF 77 radio receiver / lithium battery ⁽⁵⁾	h / m	R26/R29
Radio movement BU 190t, autonomous, self-setting		external DCF 77 radio receiver DCF 4500 ⁽⁵⁾ / 230 VAC, 50-60 Hz	h / m	R01
Radio movement BU 190t S 230, autonomous, self-setting ⁽¹⁾		external DCF 77 radio receiver DCF 4500 ⁽⁵⁾ / 230 VAC, 50-60 Hz	h / m / s	R04
MOBALine movement SAM 100t, self-setting		MOBALine	h / m	M16
MOBALine movement SAM 100t + DCC, self-setting		MOBALine / 230 VAC, 50-60 Hz	h / m	C01
MOBALine movement SEM 100t, self-setting ⁽¹⁾		MOBALine	h / m / s	M18
MOBALine movement MLU 190t S 230 self-setting ⁽¹⁾		MOBALine / 230 VAC, 50-60 Hz	h / m / s	M12
Time code movement SU 190t 230, monitored		serial protocol via RS 485 / 230 VAC, 50-60 Hz or DC	h / m	S01
Time code movement SU 190t S 230, monitored ⁽¹⁾		serial protocol via RS 485 / 230 VAC, 50-60 Hz or DC	h / m / s	S03
Audio frequency movement ATBU 190t 230, self-setting		IRIG-B, AFNOR via DCF-FSK / 230 VAC, 50-60 Hz	h / m	T51
Audio frequency movement ITBU 190t S 230, self-setting ⁽¹⁾		IRIG-B, AFNOR via DCF-FSK / 230 VAC, 50-60 Hz	h / m / s	T53
NTP movement NBU 190t PoE, self-setting		NTP / PoE ⁽²⁾	h / m	N11
NTP movement NBU 190t S PoE, self-setting ⁽¹⁾		NTP / PoE ⁽²⁾	h / m / s	N13
NTP movement NBU 190t 24 + PS24, self-setting		NTP / 230 VAC, 50-60 Hz	h / m	N01
NTP movement NBU 190t S 24 + PS24, self-setting		NTP / 230 VAC, 50-60 Hz	h / m / s	N03
Quartz movement QU 192t, autonomous ⁽³⁾		Lithium battery ⁽⁵⁾	h / m	Q02/Q03
GPS movement GU 192t, autonomous, self-setting ⁽³⁾		GPS controlled via mini antenna / lithium battery ⁽⁵⁾	h / m	R51/R54
Dial type			5	
Dial with line marks type 120, conical hands with flat ends, conical second hand			120	
Dial with line marks type 300, parallel hands with pointed ends, conical second hand			300	
Dial type 315 with arabic numerals, parallel hands with pointed ends, conical second hand			315	
Cover glass			6	
Mineral glass			1	
Ball-throw resistant			2	
Polycarbonate			3	
Mounting			7	
Wall mounting (E)		single-sided	00	
Wall mounting (W)		double-sided	01	
Wall bracket (WA)		double-sided	10	
Ceiling suspension (DA) ⁽⁴⁾		double- or four-sided	20	
Ceiling mounting (D)		double-sided	21	
Lateral pole mounting (SM)		double-sided	30	
Central pole mounting (ZM) (50 and 60 cm only)		double- or four-sided	40	
Socket mounting (S)		double-sided	50	
Sequence number			8	
Special RAL color, dials, hands, logos etc. (standard version = 0000)			xxxx	

⁽¹⁾ Second hand mode selectable: continuous or stepwise

⁽²⁾ PoE (Power over Ethernet) switch or PoE injector not included. PoE must be provided by the client.

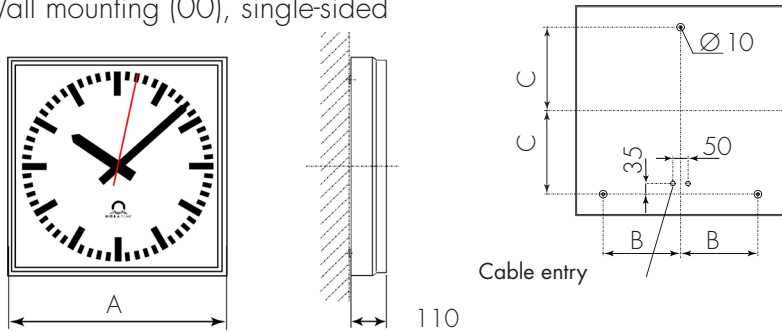
⁽³⁾ see movements series 192 ⁽⁴⁾ Q2: length corresponding to clock size, Q4: length to be specified in order ⁽⁵⁾ not included

Ordering example: PLO.60.Q2.M04.300.1.01.0000

(PROFILINE without illumination, □ 60 cm, square double-sided, MOBALine movement for h/m, dial type 300, mineral glass, ceiling suspension)

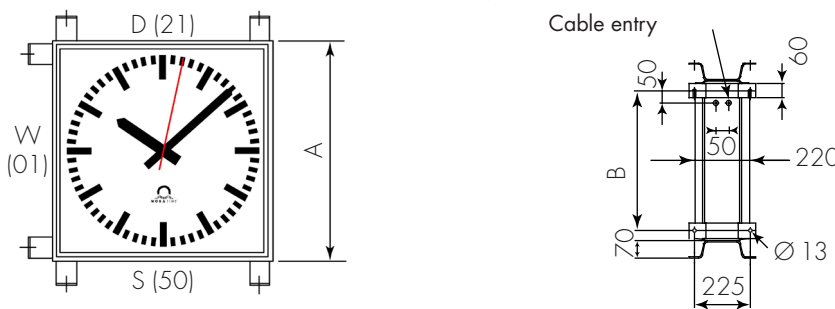
PROFILINE QUAD - Mounting types

Wall mounting (00), single-sided



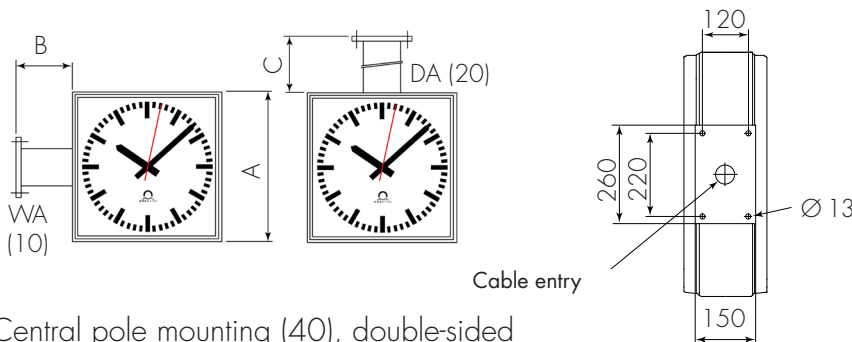
∅ cm	A mm	B mm	C mm	weight approx. kg
40	446	155	175	10
50	546	205	225	15
60	646	255	275	22
80	846	355	375	34

Wall (01), ceiling (21) or socket mounting (50), double-sided



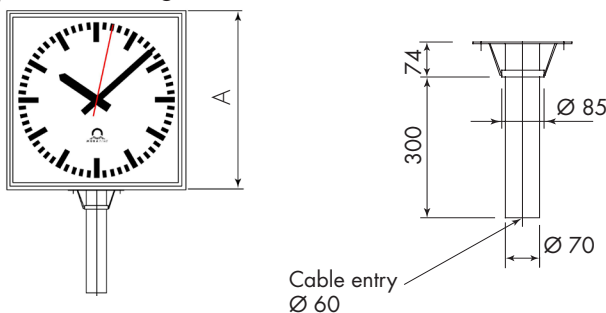
∅ cm	A mm	B mm	weight approx. kg
40	446	364	19
50	546	464	24
60	646	564	33
80	846	864	55

Wall bracket mounting (10) or ceiling suspension (20), double-sided



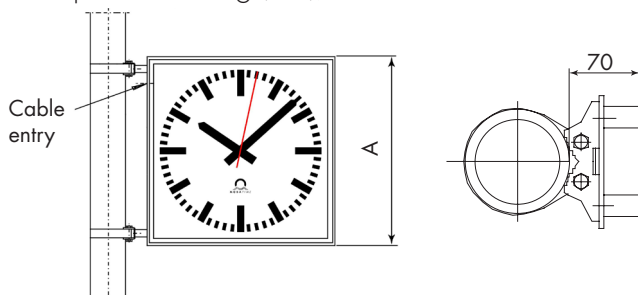
∅ cm	A mm	B mm	C mm	weight approx. kg
40	446	150	400	22
50	546	180	500	27
60	646	240	600	38
80	846	320	800	60

Central pole mounting (40), double-sided



∅ cm	A mm	weight approx. kg
50	546	26
60	646	34
80	846	55

Lateral pole mounting (30), double-sided



∅ cm	A mm	weight approx. kg
50	546	20
60	646	28