

DIGITAL INDOOR CLOCK

DC

BEAUTIFUL AND FUNCTIONAL

The slim housing of the DC models is packed with numerous functions and technical possibilities. The components can be individually selected to meet technical and visual requirements.



THE DC HAS PLENTY TO OFFER

The models of the DC series offer concentrated technology in a very slim housing, and surprise with several functions and design variants. The customizable display and many technical possibilities make the right solution possible for every application situation.



DISPLAY FEATURES

The LED display is available in several variants and colors; the reflection-free display background is black. Various display parameters can be set as required. (change display interval, world times, automatic brightness control, temperature settings, etc.)



SYNCHRONIZATION

The DC supports all common synchronization and input types. It runs autonomously on a quartz basis, with an external time signal receiver or as a slave clock. This also allows it to be well integrated into existing systems.



INTELLIGENT FUNCTIONS

The DC can do quite a bit more than many other digital clocks. In addition to the practical standard functions, each DC has a stopwatch with numerous options, a sensor for automatic display brightness, and other optional components (remote control, outdoor temperature sensor, etc.).



HOUSING & INSTALLATION

The slim yet robust aluminum housing is available in several sizes and many colors. Installation is simple and the service time-saving, as the clock is attached to the rear wall with a snap lock, even with the double-sided model.



SUPPORT

From planning to installation and during operation and maintenance – you can get answers to your questions and, if needed, support from our experts.



Hospital
DC 57.4, red display, wall console, double-sided, silver housing



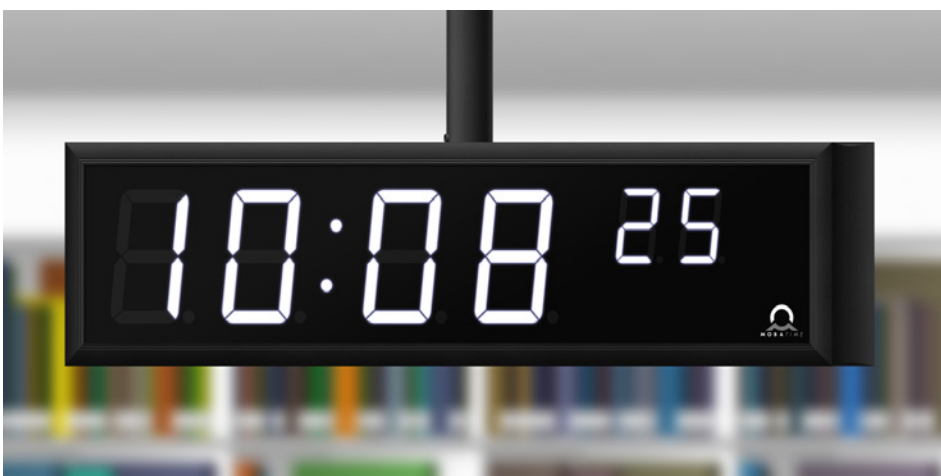
Hotel
DC 57.4, red display, ceiling suspension 50cm, one-sided, black housing



Airport
DC 180.4, red display, one-sided, silver housing



Factory
DC 75x.6, blue display, one-sided, silver housing



Library
DC 100.6, white display, ceiling suspension 30cm, double-sided, black housing



Customer-specific
DC 75.4, yellow display, special design for installation in glass columns

6 STEPS TO YOUR DC

To make sure your digital clock meets all your requirements, you can assemble the components individually. Choose from various sizes, colors, and display variants, as well as installation options and additional options. Configure your DC according to your wishes, suitable for rooms and general conditions. Our experts will be happy to help you if you have questions.

1.

Define your display type and digit height

FORMAT

You have the choice. Display type, digit height, and number of digits offer multiple variations. The reading distance varies depending on the color, lighting, viewing angle, etc. The order code is composed as follows:

Digit height	10:08	10:08 ²⁵	10:08:25	Reading distance
57 mm	57.4	57.6	57x.6	25–30 m
75 mm	75.4	75.6	75x.6	30–40 m
100 mm	100.4	100.6	100x.6	40–60 m
180 mm	180.4	180.6	180x.6	70–100 m
250 mm ¹	250.4	250.6	250x.6	100–150 m

¹ only available with SMD LEDs (option SL)

2.

Choose your display color

DISPLAY COLOR

The display background is black, offering optimal display contrast with a viewing angle of 160 degrees. The digit color is selectable. The available variants:



3.

Which installation solution works?

INSTALLATION SOLUTION

Choose the one- or double-sided solution and pick a fitting installation option. Here you can see the codes for ceiling or wall installation, as well as the variants with or without wall bracket.



N.N
Wall mounting single-sided



N.S
Ceiling suspension single-sided



N.B
Wall bracket mounting single-sided

D.S
Ceiling suspension double-sided

D.B
Wall bracket mounting double-sided

4. Which time code do you need?

SYNCHRONIZATION

The following types of synchronization are available:

CODE	SYNCHRONIZATION	POWER SUPPLY
STD	Autonomous / MOBALine / (un)polarized 24 VDC pulses	Mains
SI	Like STD, with RS-232, RS-485 and IRIG-B interface	Mains
NTP	NTP	Mains
PoE	NTP ¹	PoE
PoEclass	Like PoE, supports performance class output ¹	PoE
WiFi	WiFi (2.4 GHz), NTP	Mains
WiFi5	WiFi (2.4/5.0 GHz), NTP	Mains
GPS	Integrated GPS receiver with external magnetic antenna ²	Mains

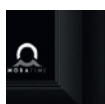
¹ DC 100x.6: only single-sided; DC 180: only 180.4 and 180x.6, with red / yellow display and option SL; DC 250: only 250.4 and 250x.6, single-sided, with red / yellow display and option SL

² not available for DC 57x.6, DC75.4 and DC.180

5. Which housing color works?

HOUSING COLOR

The aluminum housing is usually ordered in black or silver anodized. It is available in any RAL color on request.



black



silver



RAL

on request

6. Want additional options?

OPTIONS

On request, the DC can be equipped with the following additional features:

CODE	OPTION
VDC	Power supply via 18–56 VDC
VDC 12V	Power supply via 12–16 VDC ¹
REL	Internal relay ²
REL-IP	Internal relay with firmware for switching functions ²
SC	Battery-free RTC backup with supercapacitor for 12h
SL	SMD diode display ³
ANT	Magnetic GPS antenna, cable 5m (included for GPS version)
IP 54	IP 54 safety rating ⁴
IP 65	IP 65 safety rating

¹ only DC 57, DC 100

² not available for DC 57.4

³ not available for DC 75, DC with green display

⁴ not available for DC 180, DC 250

YOUR DC CLOCK IS COMPLETE

You can now order your DC and calculate the corresponding code. Enter the abbreviation for each component of your choice in the bright field and find your product code. It can be used immediately as an order code.

My DC clock DC.

1. Format Code

2. Display color Code

3. Installation solution Code

4. Synchronization Code

5. Housing color Code

6. Option Code

Example order code



	1.	2.	3.	4.	5.	6.
DC	57.4	R	N.N	STD	black	
DC	digit height 57mm	red display	wall mounting, single-sided	standard version	black housing	no option
	HH:MM					

ACCESSORIES

Whether high-precision synchronization from satellite or radio, convenient operation, or temperature display – you can find the right accessories for your clock here.

GPS 4500



GPS 4500
Receiver for direct synchronization via GPS.

DCF 4500



DCF 4500
Receiver for direct synchronization via DCF 77.

IR



Infrared remote control
Universal remote control for all MOBATIME digital clocks with infrared interface.

SK



Stopwatch keyboard
Used to control the stopwatch function. Cable length 5m.

TP 3M



Temperature sensor
Cable length 3m.
Requires TP option.

TP 30M



Temperature sensor
Cable length 30m.
Requires TP option.

TP RS485



Temperature sensor
Cable length 3m.
For SI version only.

TP LAN



Temperature sensor
Cable length 3m.
For NTP, PoE, and WiFi versions only.

10:08

The image shows a man and a woman standing in an airport terminal, looking at flight information boards. The man is wearing a white t-shirt and blue jeans, and the woman is wearing a red top and blue jeans. They are both holding rolling suitcases. The boards are arranged in a grid. The top row has four 'DEPARTURES' boards, and the bottom row has three 'ARRIVALS' boards and one 'MESSAGING' board. The digital clock above the boards shows 10:08. The boards display flight details such as destination, flight number, time, status, gate, and weather. The date on the boards is Sunday, September 8, 2013, 12:55 PM.

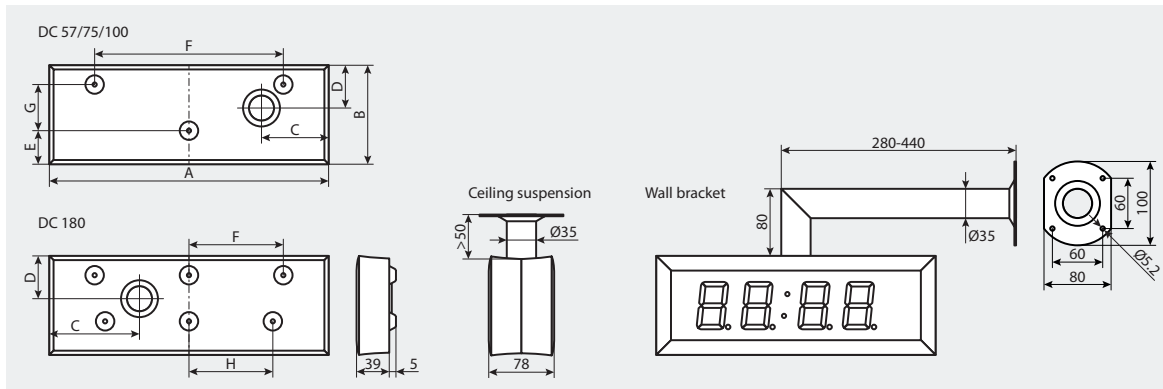
DESTINATION	FLIGHT	TIME	STATUS	GATE	WEATHER
Phoenix	495	9:00P	On Time	18	☀️
Portland	491	9:00P	On Time	18	☀️
San Francisco	490	9:00P	On Time	18	☀️
Los Angeles	492	9:00P	On Time	18	☀️
San Diego	493	9:00P	On Time	18	☀️
Seattle	494	9:00P	On Time	18	☀️
Denver	496	9:00P	On Time	18	☀️
Chicago	497	9:00P	On Time	18	☀️
New York	498	9:00P	On Time	18	☀️
London	499	9:00P	On Time	18	☀️
Paris	500	9:00P	On Time	18	☀️
Amsterdam	501	9:00P	On Time	18	☀️
Frankfurt	502	9:00P	On Time	18	☀️
Munich	503	9:00P	On Time	18	☀️
Berlin	504	9:00P	On Time	18	☀️
Rome	505	9:00P	On Time	18	☀️
Naples	506	9:00P	On Time	18	☀️
Barcelona	507	9:00P	On Time	18	☀️
Madrid	508	9:00P	On Time	18	☀️
Stockholm	509	9:00P	On Time	18	☀️
Copenhagen	510	9:00P	On Time	18	☀️
Oslo	511	9:00P	On Time	18	☀️
Stockholm	512	9:00P	On Time	18	☀️
Copenhagen	513	9:00P	On Time	18	☀️
Oslo	514	9:00P	On Time	18	☀️
Stockholm	515	9:00P	On Time	18	☀️
Copenhagen	516	9:00P	On Time	18	☀️
Oslo	517	9:00P	On Time	18	☀️
Stockholm	518	9:00P	On Time	18	☀️
Copenhagen	519	9:00P	On Time	18	☀️
Oslo	520	9:00P	On Time	18	☀️

Wherever your journey takes you
– we will be there. MOBATIME

TECHNICAL DATA

TECHNICAL DATA		DC.57.4	DC.57.6	DC.57x.6	DC.75.4	DC.75.6	DC.75x.6	DC.100.4	DC.100.6	DC.100x.6	DC.180.4	DC.180.6	DC.180x.6
Digit height (mm)		57	57/38	57	75	75/57	75	100	100/57	100	180	180/100	180
Time format		HH:MM	HH:MM ^{SS}	HH:MM:SS	HH:MM	HH:MM ^{SS}	HH:MM:SS	HH:MM	HH:MM ^{SS}	HH:MM:SS	HH:MM	HH:MM ^{SS}	HH:MM:SS
Date format		DD.MM.	DD.MM. ^{YY}	DD.MM.YY	DD.MM.	DD.MM. ^{YY}	DD.MM.YY	DD.MM.	DD.MM. ^{YY}	DD.MM.YY	DD.MM.	DD.MM. ^{YY}	DD.MM.YY
Display features		Time display in 12-hour or 24-hour format Alternating display of time, date, temperature ¹ (in C° or F°), air pressure ¹ and humidity ¹ Automatic or manual display brightness adjustment Stopwatch (count up to 24 hours, countdown from set value, display of time intervals, freezing of display...) Stopwatch operation via push buttons, IR remote control											
Material		Housing: aluminum Cover glass: anti-reflective plexiglass											
Power supply		Standard: 100 – 240 VAC, 50 – 60 Hz VDC (on request): 18 – 56 VDC (18 – 40 VAC) VDC 12V (on request): 12 – 16 VDC											
		PoE version: PoE (IEEE 802.3af class 0) PoEclass version: PoE (IEEE 802.3af class 3)											
Power consumption	SS	7 VA	8 VA	8 VA	7 VA	8 VA	8 VA	7 VA	8 VA	10 VA	25 VA	30 VA	36 VA
	DS	11 VA	16 VA	16 VA	11 VA	16 VA	16 VA	11 VA	16 VA	18 VA	50 VA	60 VA	75 VA
	SS PoE	7 VA	8 VA	8 VA	7 VA	8 VA	8 VA	7 VA	8 VA	10 VA	SL	-	SL
	DS PoE	11 VA	15 VA	15 VA	11 VA	15 VA	15 VA	11 VA	15 VA	15 VA	SL	-	SL
Quartz accuracy at 20 °C		Without synchronization: ±0.3 seconds/day											
Quartz-based time maintenance (without power supply)	Mains power supply	from lithium battery: > 2 years (without power supply) / > 15 years (with power supply)											
	PoE power supply	no time maintenance											
Operating conditions		0 to +50 °C (0 to 95% relative humidity, non-condensing)											
Degree of protection		IP 40, optionally IP 54 or IP 65										IP 40, optionally IP 65	
Standards		2002/96/EC / 2011/65/EU / 2014/30/EU / 2014/35/EU / EN 50121-4 / EN 55022 / EN 55024 / EN 60950-1											
Weight (kg)	SS	1.4	1.8	1.9	1.9	2.4	2.5	2.4	3.1	3.5	6.3	9.3	10.4
	DS	2.6	3.0	3.2	3.5	4.2	4.3	4.4	5.6	6.0	10.2	15.3	17.6
Dimensions (in mm, see below)	A	333	423	454	400	525	550	510	652	728	880	1146	1260
	B	118	118	118	140	140	140	169	169	169	264	264	264
	C	80	80	80	80	80	80	80	80	80	300	470	275
	D	51	51	51	55	55	55	51	51	51	120	120	120
	E	40	40	40	35	35	35	36	36	36	44	44	44
	F	225	225	256	300	425	450	300	400	470	300	400	520
	G	55	55	55	75	75	75	110	110	110	180	180	180
H	-	-	-	-	-	-	-	-	-	-	260	450	520

SS = single-sided; DS = double-sided; SL = PoE only with SL option
¹ only with external temperature sensor



LE-800295.22 / 2021

*Have questions?
We are happy to help.*

Moser-Baer AG | Spitalstrasse 7 | CH-3454 Sumiswald
 Tel. 034 432 46 46 | Fax 034 432 46 99
 info@mobatime.com | www.mobatime.com

