



Economical LED digital clocks

ECO-DC series

The ECO-DC series are digital clocks in 7 segment LED technique at an economical price, designed in an elegant and slim case, for time, date or alternating time/date display.

The ECO-DC is available in the following variants:

- Autonomous operation with internal quartz powered by mains
- NTP multicast or unicast synchronization, powered by PoE (compatible IEEE 802.3af) or mains powered
- Self-setting slave clock operation controlled by MOBALine code or by IRIG-B, mains powered
- LED display in red or green
- Single- or double-sided clock
- Black plastic case
- Ceiling suspension or wall bracket mounting for single- or double-sided clocks
- Intended for indoor use

ECO-DC series - variants

Display Features

- Time display in four digits (HH:MM), either 12 or 24 hours format
- Date display in four digits (DD:MM)
- 7 segment LED displays with 57 mm digit height for a viewing distance up to 30 m
- Alternating display of time and date
- Display available in red or green
- Sensor controlled automatic or manual adjustment of the display brightness

Mechanic

- Anti-reflection front cover made of plexiglass including a filter layer for best readability over a wide viewing angle
- Elegant and slim clock, made of ABS plastic in black (RAL 9005)
- Single- or double-sided version for wall mounting, ceiling suspension or wall bracket mounting
- Easy installation and time-saving maintenance thanks to hanging holes for wall mounting

- Connectors and state LEDs are accessible on the back side recess without the need for opening the housing
- Push-buttons placed on the top side of the frame housing
- Protection degree IP 30 (IP 40 on request)
- Equipment protection class II (no PE connection, plastic case)
- Working temperature: -5°C to $+55^{\circ}\text{C}$

Synchronization

- Autonomous operation with internal quartz time base with programmable automatic seasonal time change
- NTP multicast or unicast synchronization powered over PoE or mains
- Slave clock operation with synchronization by self-setting MOBA-Line code or by IRIG-B, mains powered
- Precision $0,1 \text{ s/day}$ at constant temperature - software trimming



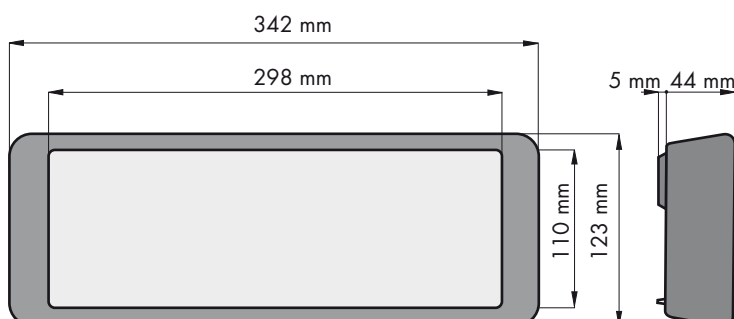
Configuration

- Setting of the clock parameters and time, date setting by means of push buttons

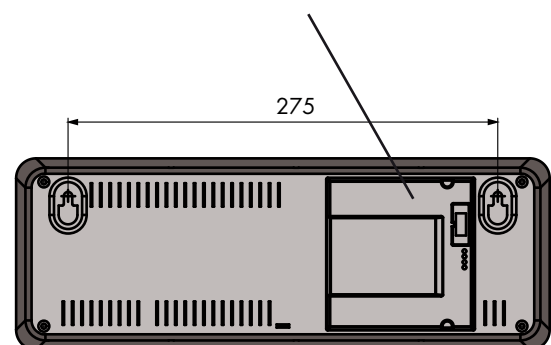
For PoE and NTP version only

- DHCP / manual configuration of the clock parameters or setting over telnet
- DHCP "Private Options" to automatic configuration of all clock parameters when connected to LAN
- Firmware update remotely through LAN using TFTP
- Configuration and supervision via MOBANMS (Network Management System) software
- IPv6 ready

Single-sided clock dimension



back side recess

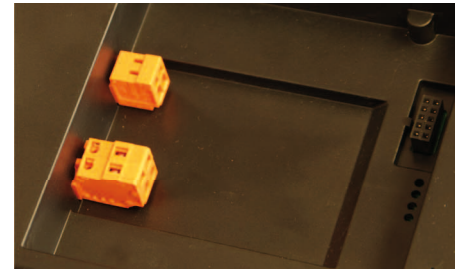


Order reference - ECO-DC

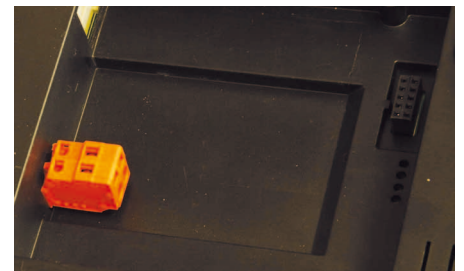
ECO-DC • 1 • 2 • 3 • 4 • 5 • 6 • 7

Height of digits	1
57 mm	57
Number of digits	2
4-digits	4
Display color	3
red	R
green	G
Version	4
single-sided	N
double-sided	D
Mounting	5
wall mounting	N
ceiling suspension (conventionally 5, 10, 30 and 50 cm, other lengths on request)	S
wall bracket	B
Synchronization	6
Autonomous operation	AUT
MOBALine, mains powered	MBL
MOBALine or DCF active code, with Real Time Clock RTC, mains powered	MBLDCF
IRIG-B, mains powered	IRIG
NTP protocol, mains powered	NTP
NTP protocol, PoE powered	PoE
Option	7
powered by 24 VDC (not for PoE version)	VDC

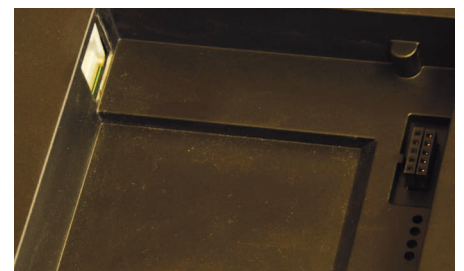
Connections



Version MOBALine or IRIG-B synchronized, mains powered



Version NTP synchronized, mains powered



Version NTP synchronized, PoE (Power over Ethernet) powered

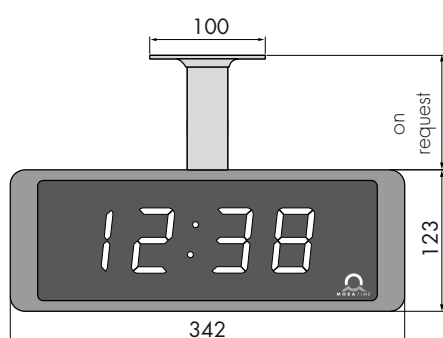
Ordering example: ECO-DC.57.4.R.N.N.MBL

Digital clock 7-segment display, 57 mm height, 4 digits, red color, single-sided, wall surface mounting, synchronization by MOBALine, mains powered

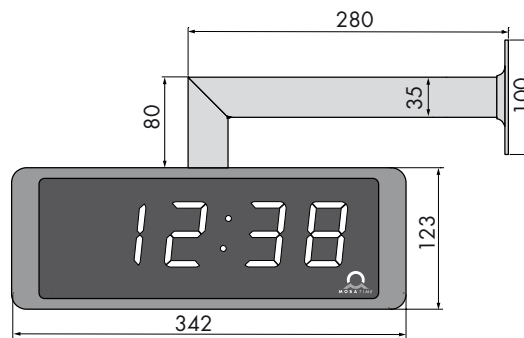
Double-sided clock dimension and mounting

Note: specify suspension rod length (5, 10, 30, 50 cm or custom length on request) in order

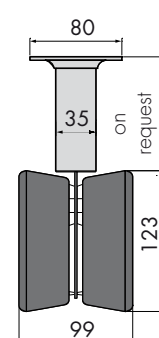
ceiling suspension mounting



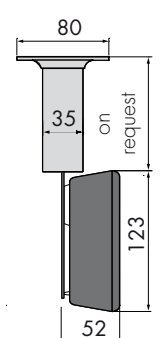
wall bracket mounting



double-sided



single-sided



all dimensions in mm

ECO-DC - Technical details

Technical Data		ECO-DC
Display	height of the digits [mm]	57
	number of digits	4
Time display format	HH:MM	✓
Date display format	DD:MM	✓
Automatic or manual brightness		✓
Reading distance		25 - 30 m
Autonomous operation	AUT	internal quartz base
Synchronization	MBL	MOBALine time code, mains powered
	MBLDCF (with RTC)	MOBALine or DCF active time code, mains powered
	IRIG	IRIG-B, mains powered
	NTP	NTP protocol, mains powered
	PoE	NTP protocol, PoE powered (compatible IEEE 802.3af)
Power supply		100 - 240 VAC / 50 - 60 Hz
Power consumption	single-sided	7 VA
	double-sided	12 VA
Quartz accuracy at 20°C		± 0.3 seconds / day (at a constant temperature)
Operating temperature		-5°C to +55°C
Protection degree		IP 30 (IP 40 on request)
Weight [kg] (including mounting plate)	single-sided	0.75
	double-sided	2
Dimensions [mm] (length x height x depth)	single-sided	342 x 123 x 44
	double-sided	342 x 123 x 105